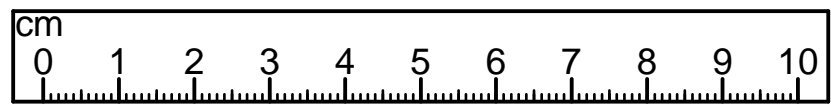
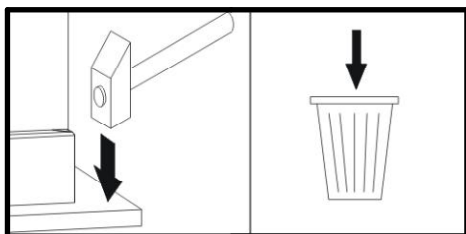
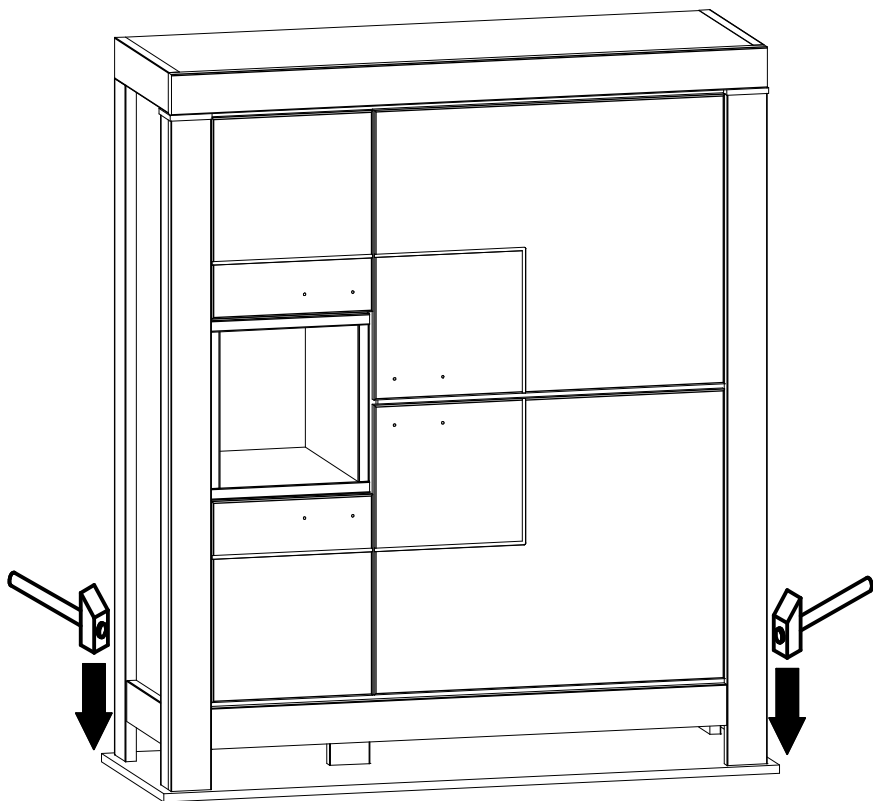


A	B	C (mm)		D
1	S228-5506	401	80	1/1
2	S271-0014	565	697	1/1
3	S271-0015	565	697	1/1
4	S271-0016	392	320	1/1
5	S271-0017	392	320	1/1
6	S271-1010	1303	401	1/1
7	S271-1011	1303	401	1/1
8	S271-1012	1210,5	381	1/1
9	S271-1013	305	395	1/1
10	S271-2107	1141	401	1/1
11	S271-2108	319	397	1/1
12	S271-2109	319	397	1/1
13	S271-3112	1109	381	1/1
14	S271-3113	730	381	1/1
15	S271-3114	363	381	1/1
16	S271-3115	729	371	1/1
17	S271-3116	363	381	1/1
18	S271-5011	1185	80	1/1
19	S271-5023	263	80,	1/1
20	S271-5024	1308	80	1/1
21	S271-5025	1308	80	1/1
22	S271-5026	1308	58,	1/1
23	S271-5027	1308	58,	1/1
24	S271-5028	1318	80	1/1
25	S271-5029	1318	80	1/1
26	S271-5030	1025	80,	1/1
27	S271-5031	1107	40	1/1
28	S271-5059	155	80	1/1
29	S271-9004	1230	1119	1/1
30	S271-5093	155	80	1/1

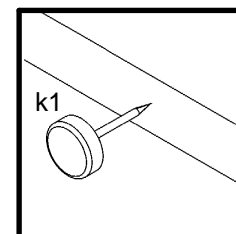
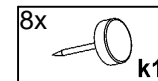
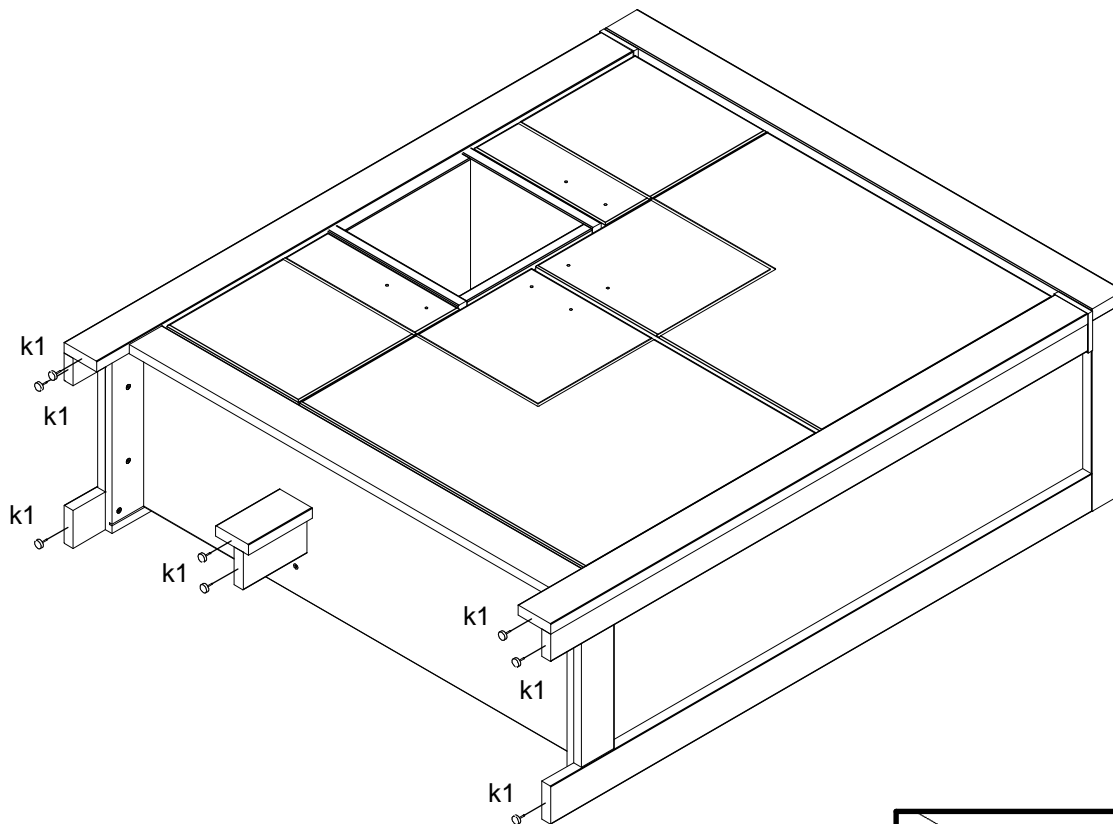
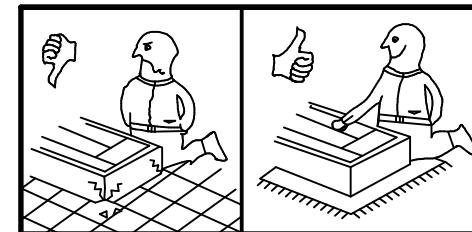
4x c429\3	8x ø5x17 mm d1	8x M4x22 mm j30	8x k1
1x ø80\3	1x 5W ø75\2	12x s1	13x ø16 s2
1x 86x21x181,5 n14\2	2x ø3,5x16 mm p38	1x ø10x50 mm f35	1x ø5x60 mm p17



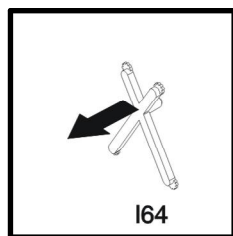
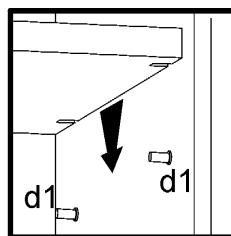
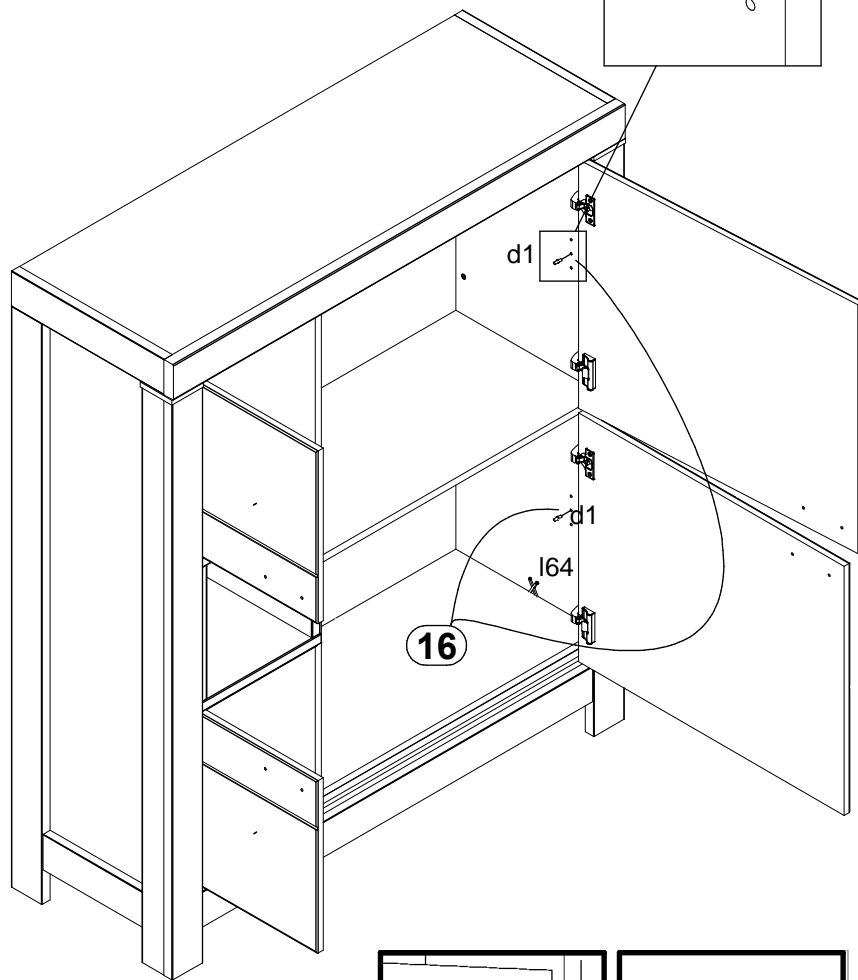
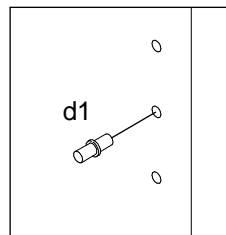
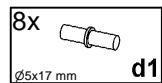
1



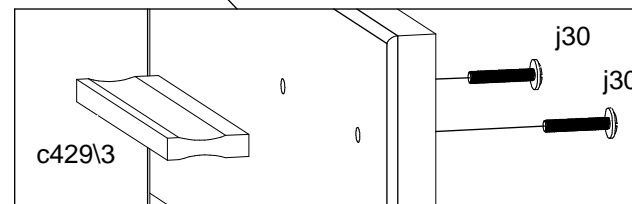
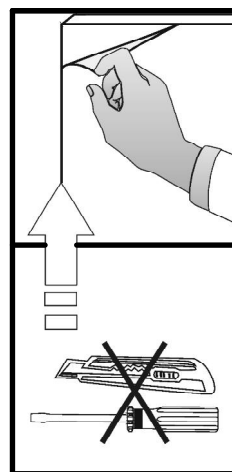
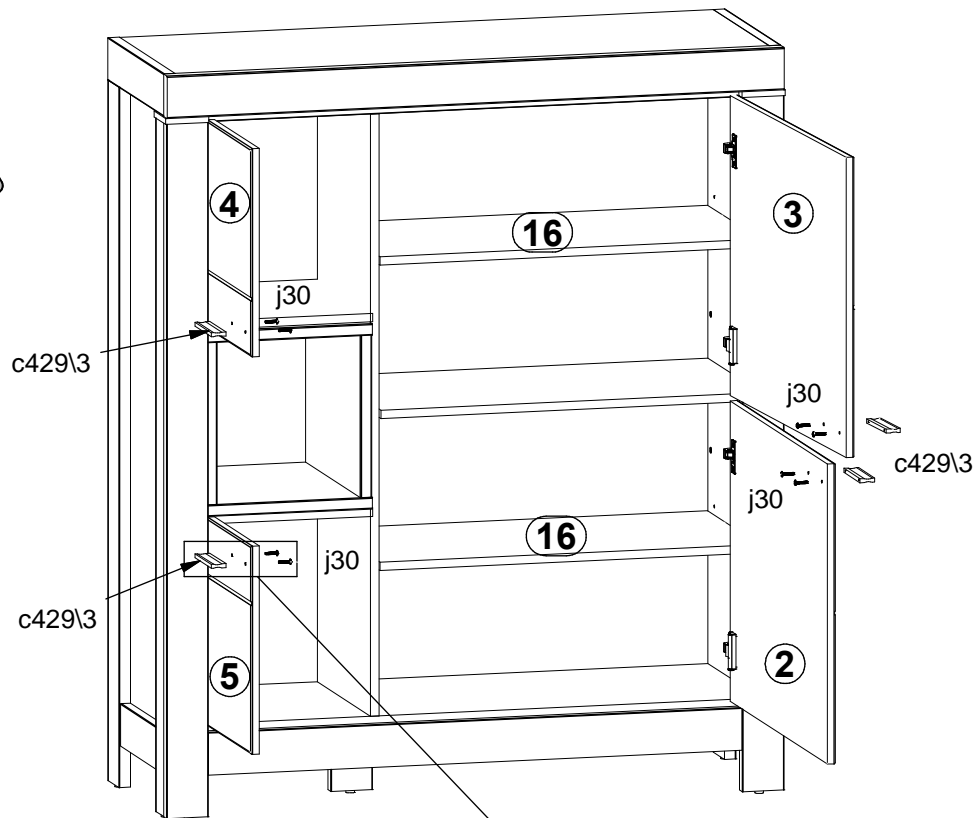
2



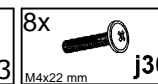
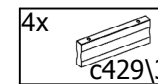
# 3



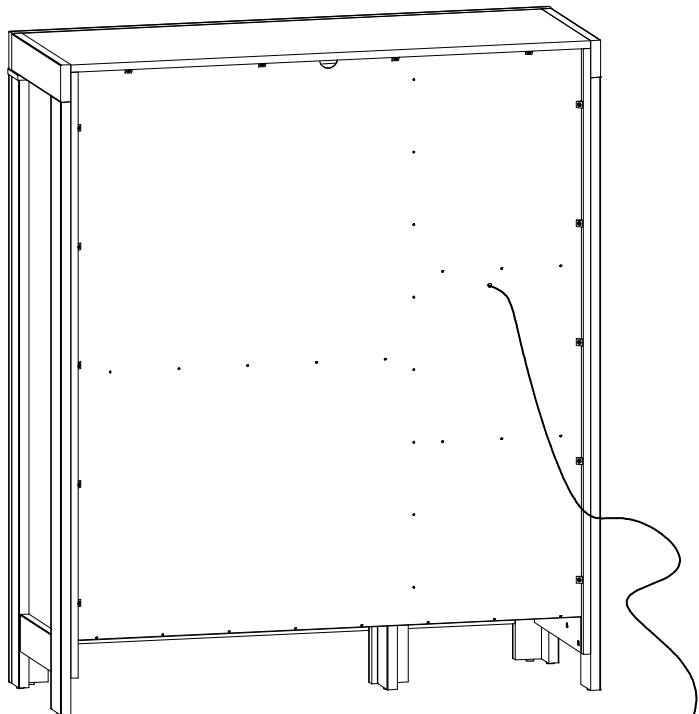
# 4



40543W06



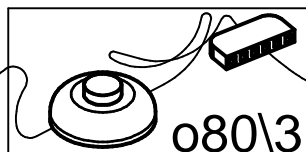
5



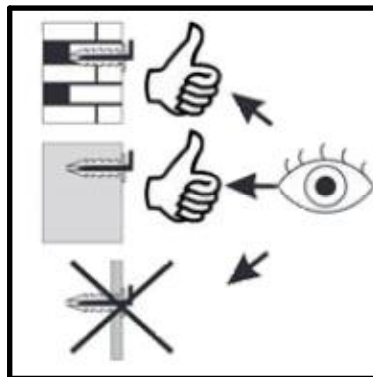
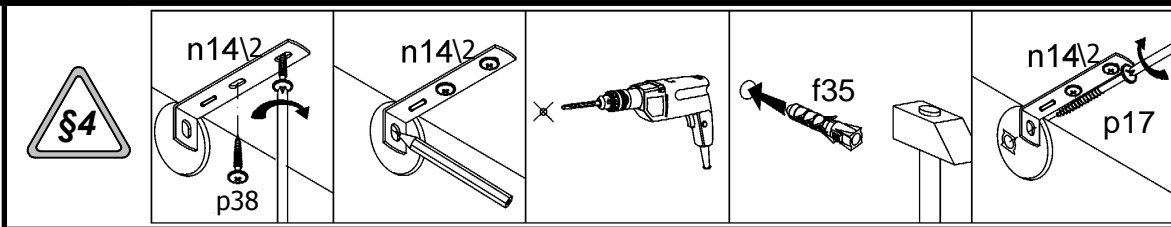
o75\2



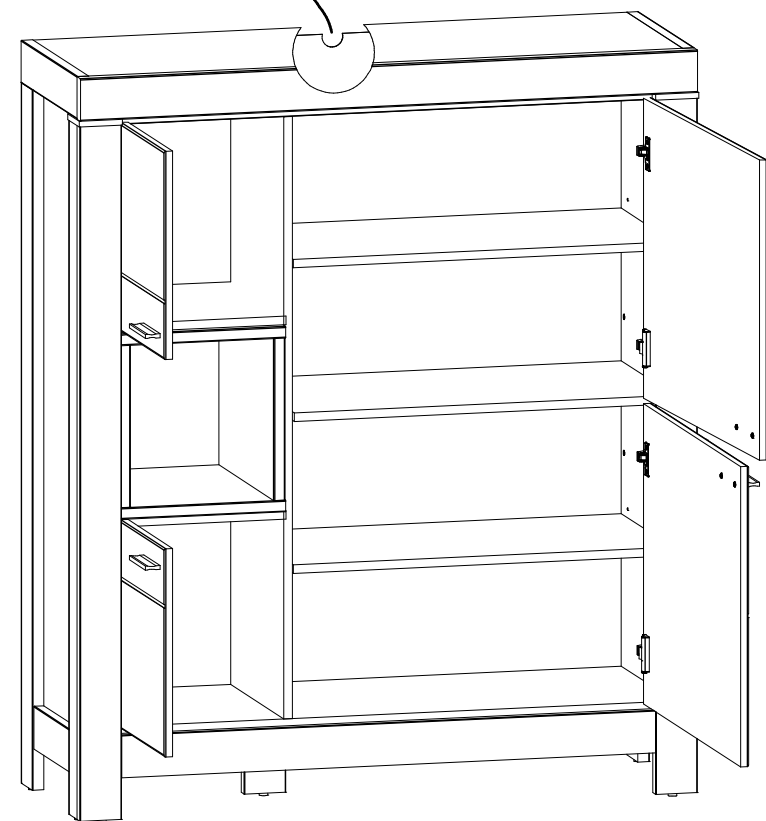
o80\3



6



- |                             |                         |
|-----------------------------|-------------------------|
| 1x<br>86x21x15/1.5<br>n14\2 | 2x<br>Ø3.5x16 mm<br>p38 |
| 1x<br>Ø10x50 mm<br>f35      | 1x<br>Ø5x60 mm<br>p17   |



7

